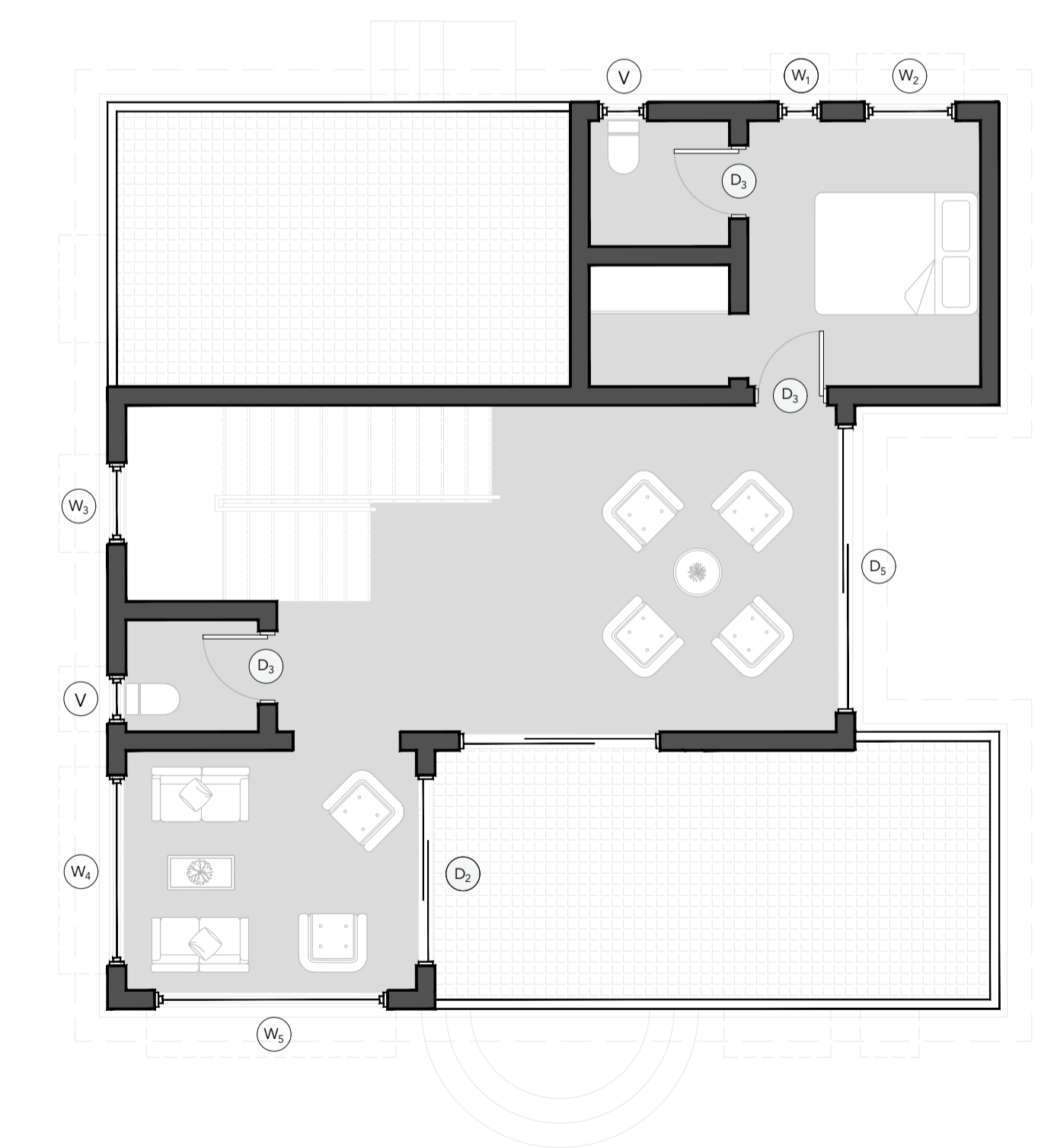
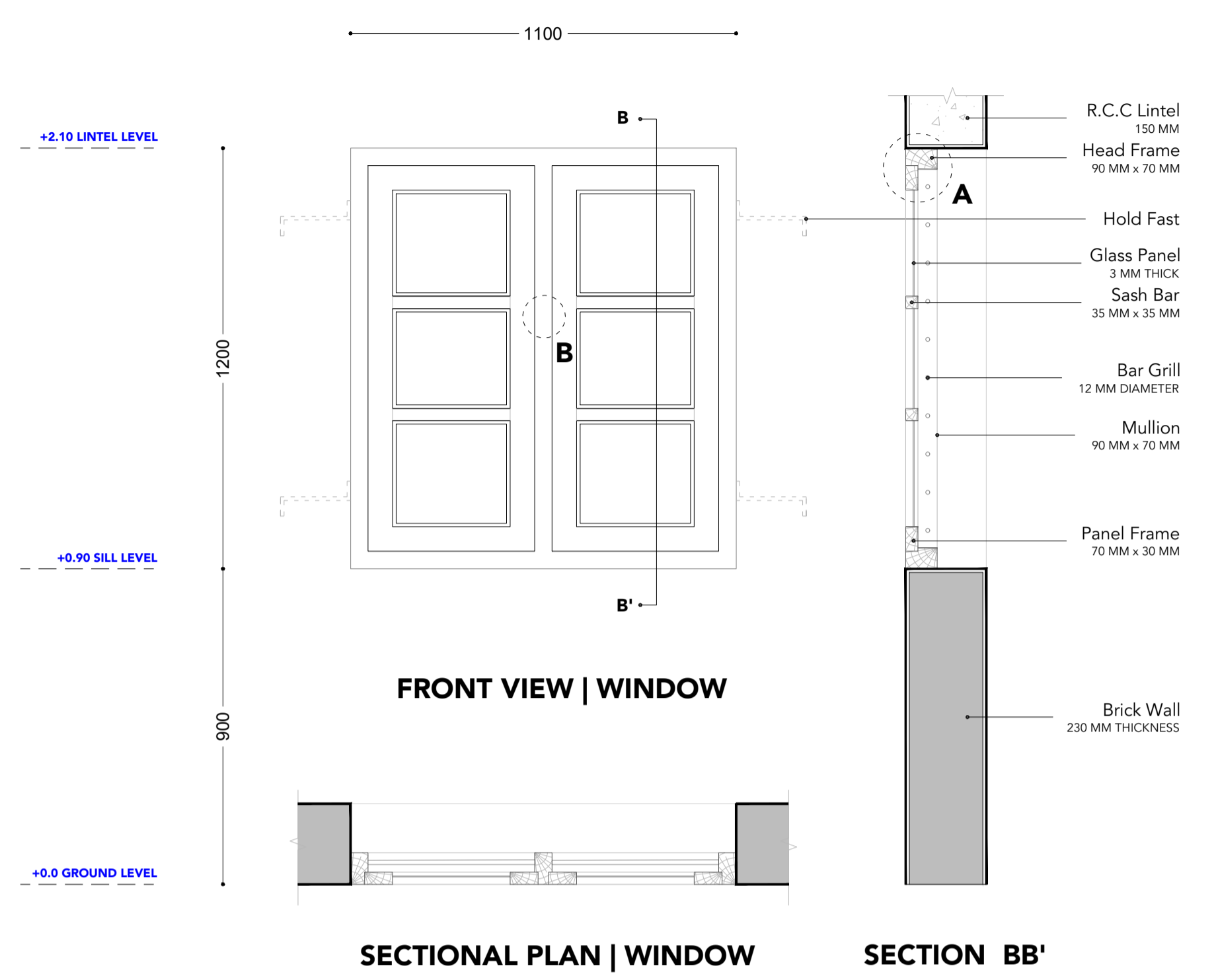


GROUND FLOOR PLAN



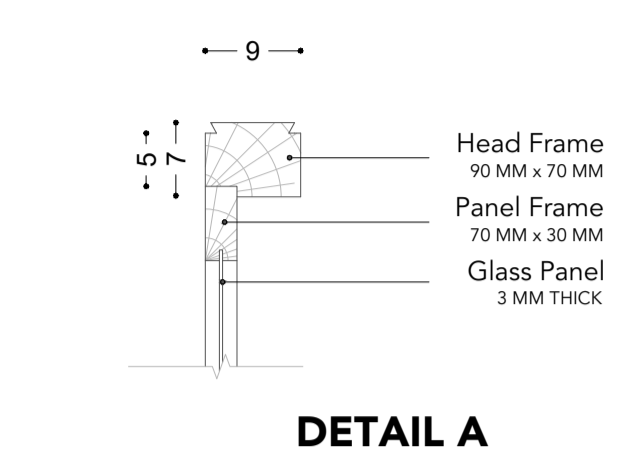
FIRST FLOOR PLAN



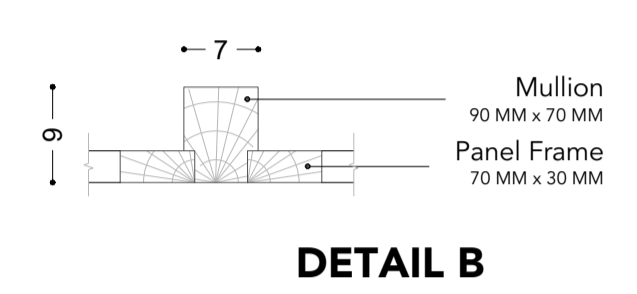
FRONT VIEW | WINDOW

SECTIONAL PLAN | WINDOW

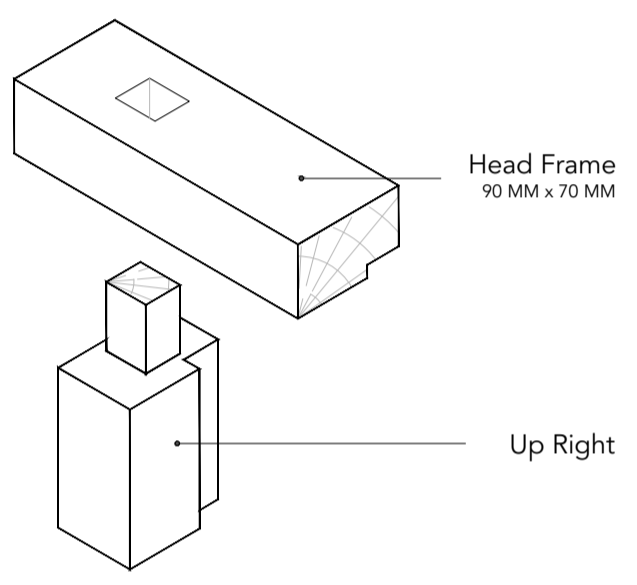
SECTION BB'



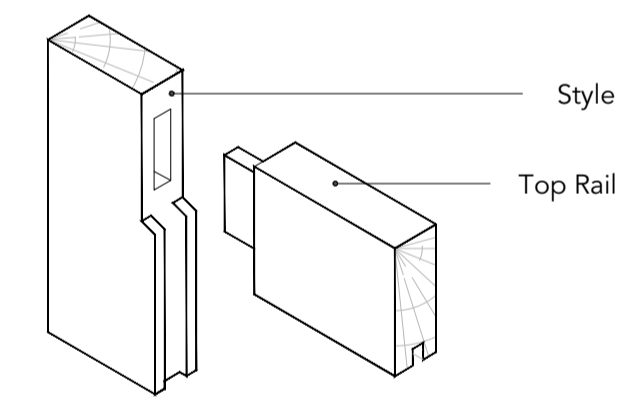
DETAIL A



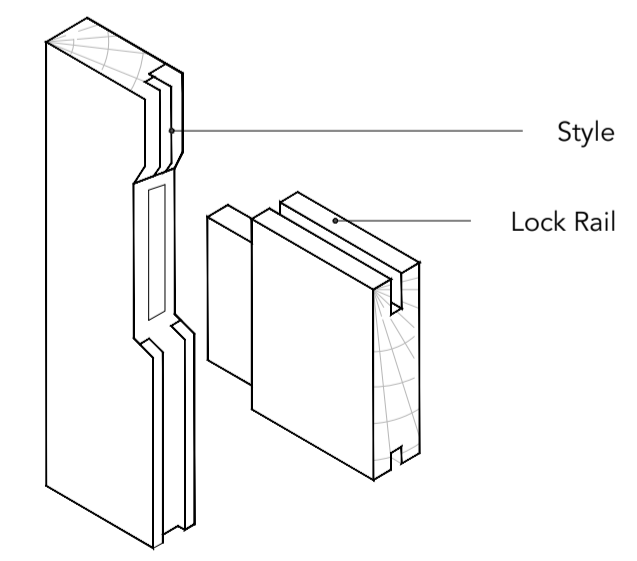
DETAIL B



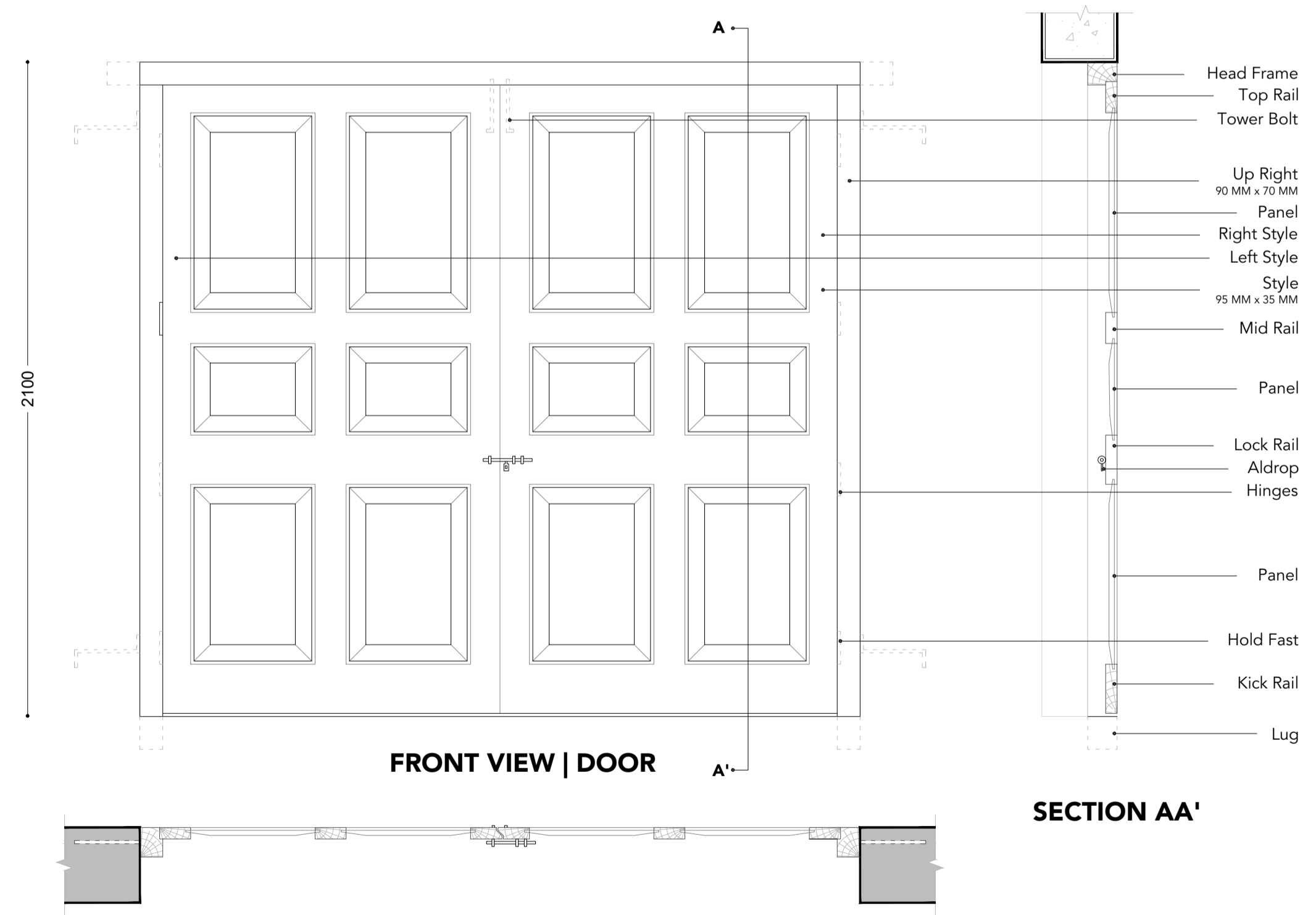
MORTISE TENON JOINT OF HEAD FRAME & UPRIGHT



JOINT OF TOP RAIL & STYLE



JOINT OF LOCK RAIL & STYLE



FRONT VIEW | DOOR

SECTIONAL PLAN | DOOR

SECTION AA'

LEGEND

- Brick Walls
0.23M THICKNESS
- Vent
0.60M WIDE
- Window | Type 01
0.60M WIDE
- Door | Type 01
2.20M WIDE | DOUBLE DOOR
- Window | Type 02
1.10M WIDE
- Door | Type 02
2.35M WIDE | SLIDING DOOR
- Window | Type 03
1.0M WIDE
- Door | Type 03
0.90M WIDE | SINGLE DOOR
- Window | Type 04
2.35M WIDE
- Door | Type 04
0.70M WIDE | SINGLE DOOR
- Window | Type 05
2.80M WIDE
- Door | Type 05
3.50M WIDE | SLIDING DOOR

Notes:

- All dimensions are in m unless specified.